

RECOMMENDED OPENING WIDTH	2' - 11\"/>
(WITH MOTOR)	3' - 11\"/>
RECOMMENDED OPENING HEIGHT	2' - 11\"/>
RECOMMENDED MAXIMUM AREA	81 SQ FT /
CURTAIN WEIGHT	.875 lbs/ft /
PROFILE	1.5\"/>
SYSTEM	2\"/>
CURTAIN	2\"/>

Copyright © 2016 Rollac

DuraComfort A150 System Specification- 2 1/8" Rail	
OPERATOR OPTIONS;	TAPE GEAR MOTOR MOTOR/OVERRIDE
RAIL OPTIONS;	2 1/8" STANDARD 2 1/2" OPTIONAL

APPLICATIONS FOR T
DuraComfort A150 SYS
RESIDENTIAL
COMFORT, PRIVACY,
SECURITY,
SOLAR SHADING

Housing Size(A) Versus FM Height of Shutter.



NAME	DATE	PROJECT
DESIGNER: TRAVIS R.	2016/14/02	
CHECKED: STEPHAN P.	2016/14/03	DESCRIP
APPROVED: YYYYYY/00		SYSTEM
		A150 CH

ROLLAC

System Specification Sheets
DuraComfort A150-R 40mm Slat Profile

ROLLAC 2017

System Specifications

VERSION 04.06.17

To place an order please call:

(888) 2-ROLLAC (276-5522)

For more information please call:

(281) 485-1911 (local)

To find out more about our company or our products,

please visit our website: www.rollac.com.

email: architects@rollac.com

Copyright 2017, Rollac Shutter of Texas, Inc.

All rights reserved. No part of this catalog may be reproduced in any form or by any electronic or mechanical means, including the use of information storage and retrieval systems, without the express written permission from Rollac Shutter of Texas, Inc.

Certain portions of this catalog have been reprinted with the permission of the copyright owners who reserve all rights.



System Specifications Table of Contents

Slat Specifications

Operator Overview

Drawing 1

System Overview and Technical Specifications

Drawing 2

System Overview and Technical Specification continued

Drawing 3

Shutter Mounting Options Overview

Drawing 4

DETAIL: Shutter Surface Mounting

Drawing 5

DETAIL: Recess / Jamb Mounting

Drawing 6

DETAIL: In Wall Mounting

Drawing 7

DETAIL: Above Ceiling / Soffit Mount

Drawing 8

Recommended Fastener Schedule

Drawing 9

Motorized Operation Rolling Shutter Manual Override Options – Exploded Diagram

Drawing 10

Gear Operation Rolling Shutter Options – Exploded Diagram

Drawing 11

Tape Drive Operation - Exploded Drawing

Drawing 12

Duracomfort System Spec Sheet

Drawing 13

Mounting Options for Rails

Drawing 14

Exposed Base Slat Detail and Wall Mounting Bottom Stop Detail

Drawing 15

Wall Mounting Side Rail Connections to wood and concrete walls

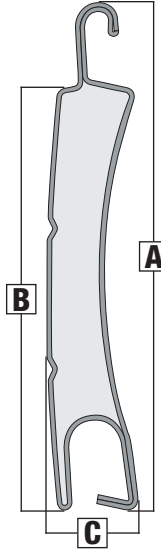
Drawing 16

Common Terms used for Rolling Shutters and Shutter System Frames



DuraComfort A150-R Regular Foam Slat

Residential Security Solution



Slat Details		
Total Height (A)	1.87	48 mm
Total Height (B)	1.57"	40 mm
Profile Width (C)	0.35"	9 mm
Wall Gauge	0.017"	0.43 mm
Weight	0.875 lbs/sqft	4.3 kg/sqm
Maximum Area	81 sqft	7.525 sqm
Operator Limitations		
Operator	Max sqft	Max sqm
Pulley (25 lbs)	29 sqft	2.69 sqm
Strap Crank (60 lbs)	69 sqft	6.41 sqm
Gear Crank (71 lbs)	81 sqft	7.53 sqm
Gear Assist (110 lbs)	81 sqft	7.53 sqm
Motor 60mm Axle (194 lbs)	81 sqft	7.53 sqm
Limited by the maximum usage		

Color Availability		
	Curtain Colors	Frame Colors
White	•	•
Cream	•	•
Beige	•	•
Bronze	•	•
Brown	•	•
Grey	•	•
Arcona Beige	•	•
Metallic	•	•

Slat Details	
<ul style="list-style-type: none"> • Double walled roll-formed aluminum • Gauge 0.43 mm / 0.017" • CFC free foam core • Paint thermal stability range: -40° F to 176° F [-40° C to 80° C] • Available with or without light slits • Solar heat gain coefficient & U values available upon request 	

Sidelocks (Polyamide Inserts for Regular Foam)			
A-152 FOR A150	Profiles	For Drive-In Fit	PC

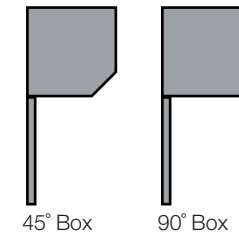
Aluminum Base Slat for Mini Slats	
Cream, White, Grey, Lt. Beige, Bronze	

Slat Deduction for Shutter Manufacturing	
Slat	Small Leg 45° & 90° 4"-10"
A150-R	7.5 cm / 2 ¹⁵ / ₁₆ "

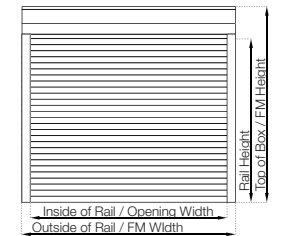
Standard Side Rail - Mini	
53 mm x 22 mm (2.09" x 0.86")	
Anodized Silver, Cream, White, Grey, Light Beige, Bronze, Dark Brown, Arcona Beige	

Optional Side Rail - Mini	
64 mm x 22 mm (2.50" x 0.86")	
Anodized Silver, Cream, White, Grey, Light Beige, Bronze, Dark Brown, Arcona Beige	

Box Housing Shape



Shutter Dimension Diagram

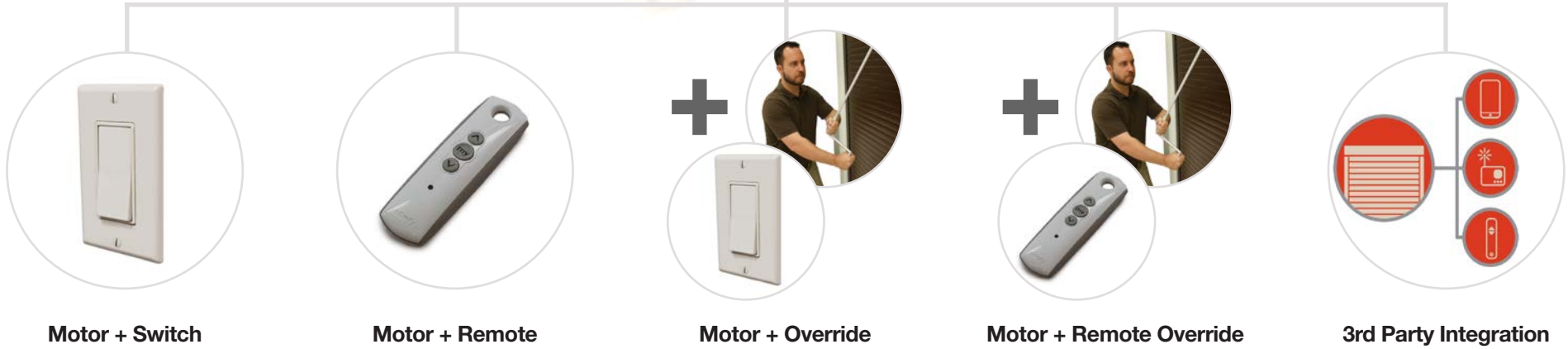


Rail Height By Housing Size														
Box Size	6" (150 mm)		6.5" (165 mm)		7" (180 mm)		8" (205 mm)		9" (230 mm)		10" (250 mm)		12" (300 mm)	
Axle	40 mm	60 mm	40 mm	60 mm	40 mm	60 mm	40 mm	60 mm	40 mm	60 mm	40 mm	60 mm	40 mm	60 mm
A150-R	48"	40"	58"	55"	67"	64"	103"	96"	128"	120"	173"	169"	--	--



Operator Overview

Motorized Options



Each Option Includes Motorized Operation





Operator Overview

Manual Options



Recoil Box



Crank Box



Push / Pull System



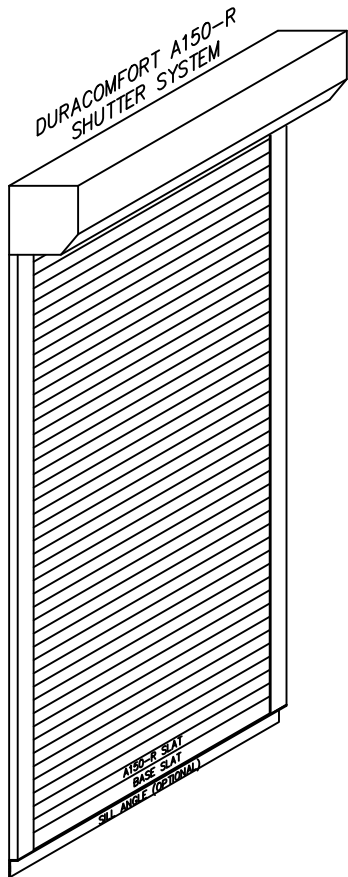
Gear Drive / Crank Handle



The DuraComfort A150 - Shutter System

with 40 mm foam filled profile with or without Ventilation

System Overview and Technical Specifications

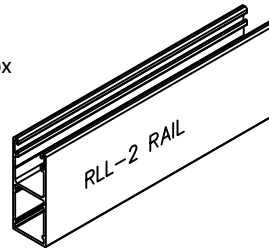
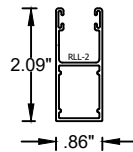


• **Available Colors:**

Curtain	Frame
White	White
Arcona Beige (Dark Beige)	Arcona Beige (Dark Beige)
Cream	Cream
Grey	Grey
Metallic	Metallic
Dark Brown	Dark Brown
Bronze	Bronze

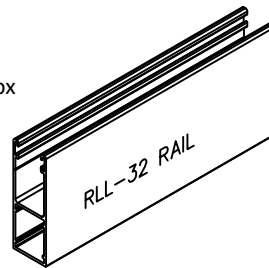
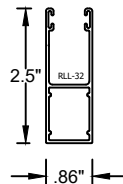
• **Available Rail Sizes:**

- Standard 2.125"
- For 6" - 9" Shutter Box

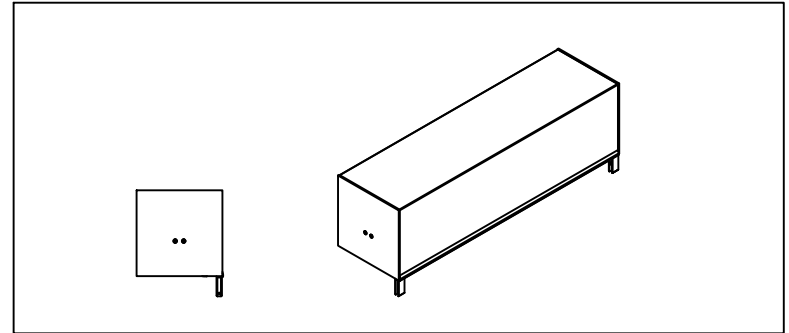


• **Available Rail Sizes:**

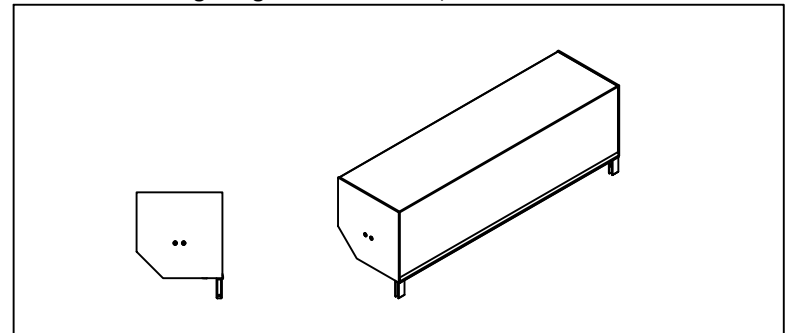
- Optional 2.5"
- For 6" - 9" Shutter Box



• **Available Housing Design Choices - Side Cap 90°**



• **Available Housing Design Choices - Side Cap 45°**



<p>Copyright © 2017 Rollac V2.28.2017</p> <p>ROLLAC ROLLING SHUTTERS 5331 W. ORANGE ST. PEARLAND, TX 77581 TEL: 281-485-1911 WWW.ROLLAC.COM</p>	NAME	DATE	PROJECT:	
	DRAWN	TRAVIS E.	2017/03/08	DESCRIPTION: SYSTEM SPECIFICATION SHEETS FOR A150 SHUTTER SYSTEM.
	CHECKED	STEFAN P.	2017/03/08	
	APPR.		YYYY/MM/DD	
UNLESS OTHERWISE SPECIFIED DIMENSIONS ARE IN INCHES			SIZE DWG. NO.	
ANGLES	.X	.XX	.XXX	REV
± .5	± .1	± .03	± .005	A
<p>THIRD ANGLE PROJECTION</p>			SCALE: NONE	
			WEIGHT: XX.XLBS	
			1 OF 16	

• Required Minimum and Maximum Dimensions for Operators

Manual System Min and Max Dimensions	
System Width	2' - 8"
System Height	3' - 8"
Maximum System SQFT	81 sqft

Motorized Systems Min and Max Dimensions	
System Width	3' - 8"
System Height	3' - 8"
Maximum System SQFT	81 sqft

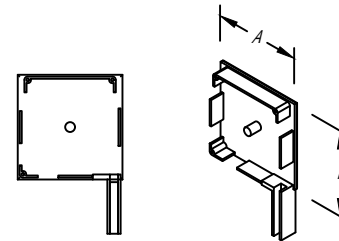
*The system specifications and information herein are based on the dimensional recommendations. If a system requires dimensions outside the scope of these technical recommendations, special engineering and installations may be required. Always consult with Rollac first.

System Weight	
Approximate Systems Weight	1.66 lbs / sqft
Curtain Weight	0.83 lbs / sqft
Profile Height	1.57" (40mm)

• Available Operators and SQFT Limitations

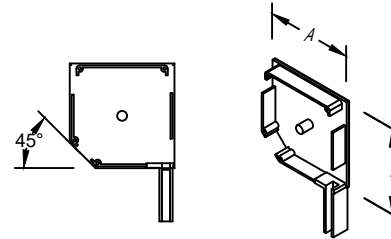
Operator System Dimensions	Max SQFT
Recoil Box Tape Drive	30 sqft
Crank Box Tape Drive	70 sqft
Gear	81 sqft
Push / Pull	81 sqft
Motor Regular Switch	81 sqft
Motor with Over Ride (M+O)	81 sqft
Motor with Remote Control	81 sqft
Motor with Remote Control and Over Ride	81 sqft

Dimensions of Side Cap 90°



Dimensions of Side Caps - 90°	
Box	A
5.0" (125mm)	4.72" (120mm)
5.5" (137mm)	5.20" (132mm)
6.0" (150mm)	5.71" (145mm)
6.5" (165mm)	6.30" (160mm)
7.0" (180mm)	6.89" (175mm)
8.0" (205mm)	7.87" (200mm)
9.0" (230mm)	8.86" (225mm)
10.0" (250mm)	9.65" (245mm)

Dimensions of Side Cap 45°

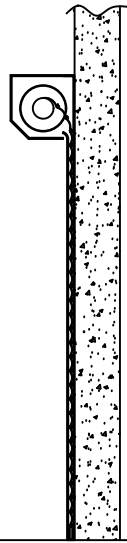


Dimensions of Side Caps - 45°	
Box	A
5.0" (125mm)	4.72" (120mm)
5.5" (137mm)	5.20" (132mm)
6.0" (150mm)	5.71" (145mm)
6.5" (165mm)	6.30" (160mm)
7.0" (180mm)	6.89" (175mm)
8.0" (205mm)	7.87" (200mm)
9.0" (230mm)	8.86" (225mm)
10.0" (250mm)	9.65" (245mm)

**The DuraComfort A150 - Shutter System
with 40 mm foam filled profile
with or without Ventilation
System Overview and Technical Specifications**

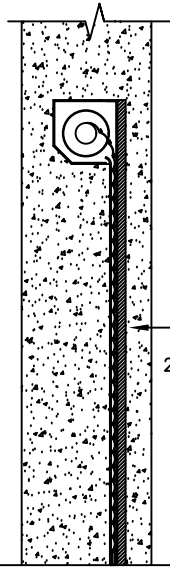
<p>Copyright © 2017 Rollac V2.28.2017</p> <p>ROLLAC ROLLING SHUTTERS 5331 W. ORANGE ST. PEARLAND, TX 77581 TEL: 281-485-1911 WWW.ROLLAC.COM</p>	NAME	DATE	PROJECT:	
	DRAWN	TRAVIS E.		2016/08/16
	CHECKED	STEFAN P.	2016/08/16	DESCRIPTION: SYSTEM SPECIFICATION SHEETS FOR A150 SHUTTER SYSTEM. GENERAL NOTES
	APPR.		YYYY/MM/DD	
UNLESS OTHERWISE SPECIFIED DIMENSIONS ARE IN INCHES			SIZE DWG. NO. A/A150 SCALE: NONE WEIGHT: XX.XLBS 2 OF 16	
ANGLES	±.5	±.1 ±.03 ±.005		REV A
THIRD ANGLE PROJECTION				

SHUTTER MOUNTING OPTIONS



SURFACE MOUNT

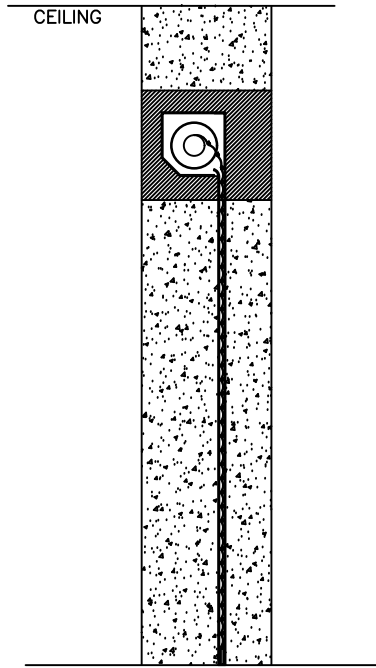
SEE PAGE # 4
FOR DETAILS



RECESS/JAMB MOUNT

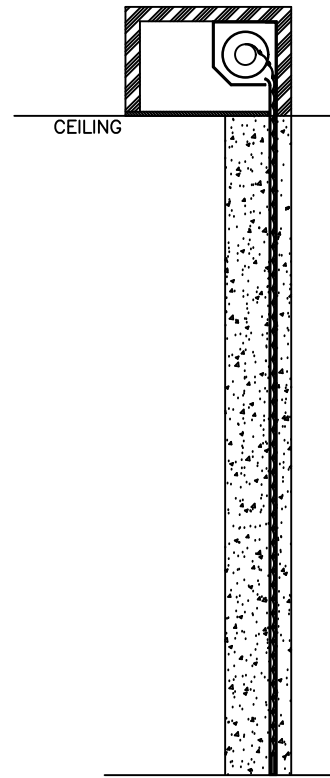
SEE PAGE # 5
FOR DETAILS

2" X 2"
ANGLE



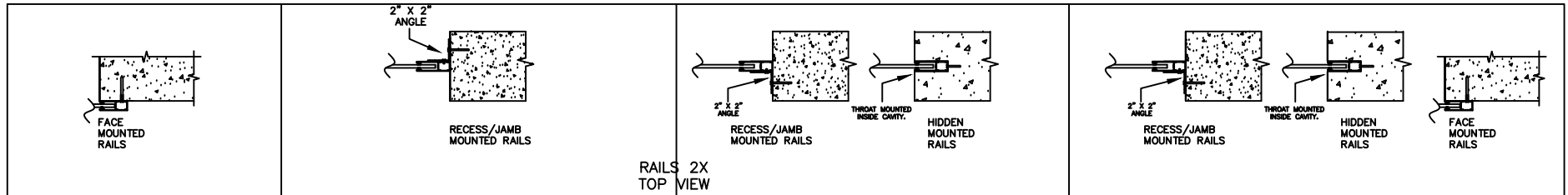
INWALL MOUNT

SEE PAGE # 6
FOR DETAILS



ABOVE CEILING/SOFFIT MOUNT

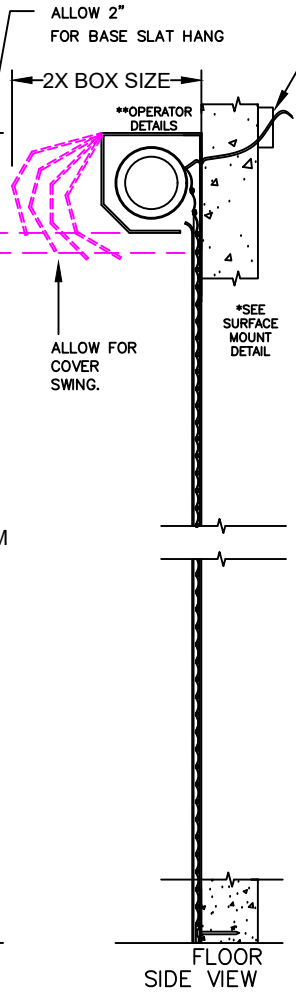
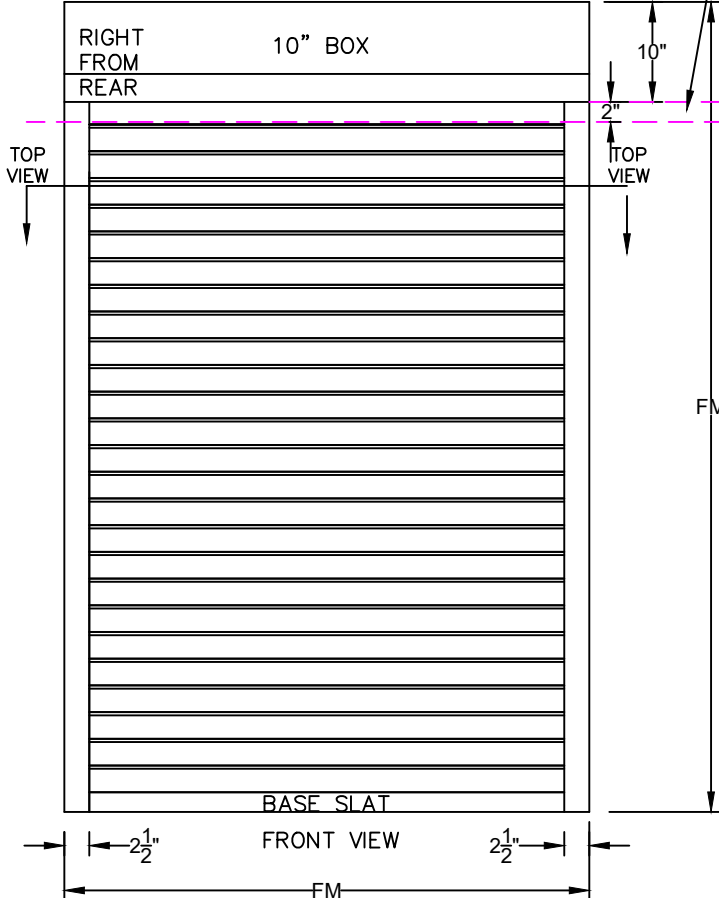
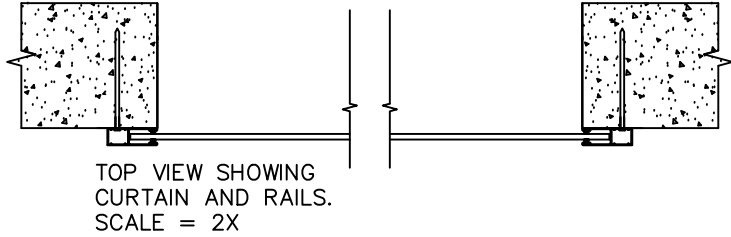
SEE PAGE # 7
FOR DETAILS



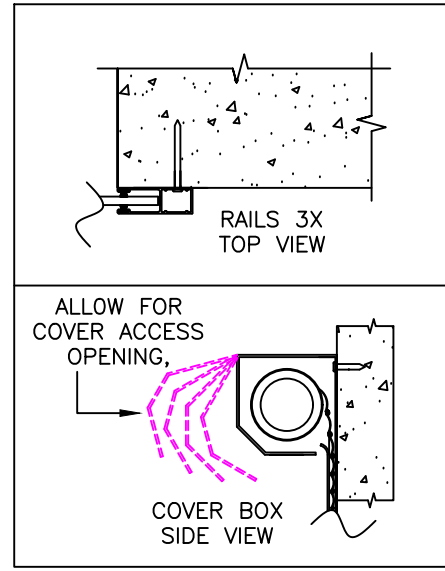
RAILS 2X
TOP VIEW

**RAIL MOUNTING OPTIONS
BY SHUTTER MOUNT METHODS**

<p>Copyright © 2017 Rollac V2.28.2017</p> <p>ROLLAC ROLLING SHUTTERS 5331 W. ORANGE ST. PEARLAND, TX 77581 TEL: 281-485-1911 WWW.ROLLAC.COM</p>	NAME	DATE	PROJECT:	
	DRAWN	TRAVIS E.	2017/03/08	DESCRIPTION: SYSTEM SPECIFICATION SHEETS FOR A150 SHUTTER SYSTEM.
	CHECKED	STEFAN P.	2017/03/08	
	APPR.		YYYY/MM/DD	
UNLESS OTHERWISE SPECIFIED DIMENSIONS ARE IN INCHES				
ANGLES	.X	.XX	.XXX	
	± .5	± .1	± .03 ± .005	
<p>THIRD ANGLE PROJECTION</p>			SIZE DWG. NO. A150 REV A SCALE: NONE WEIGHT: XX.XLBS 3 OF 16	



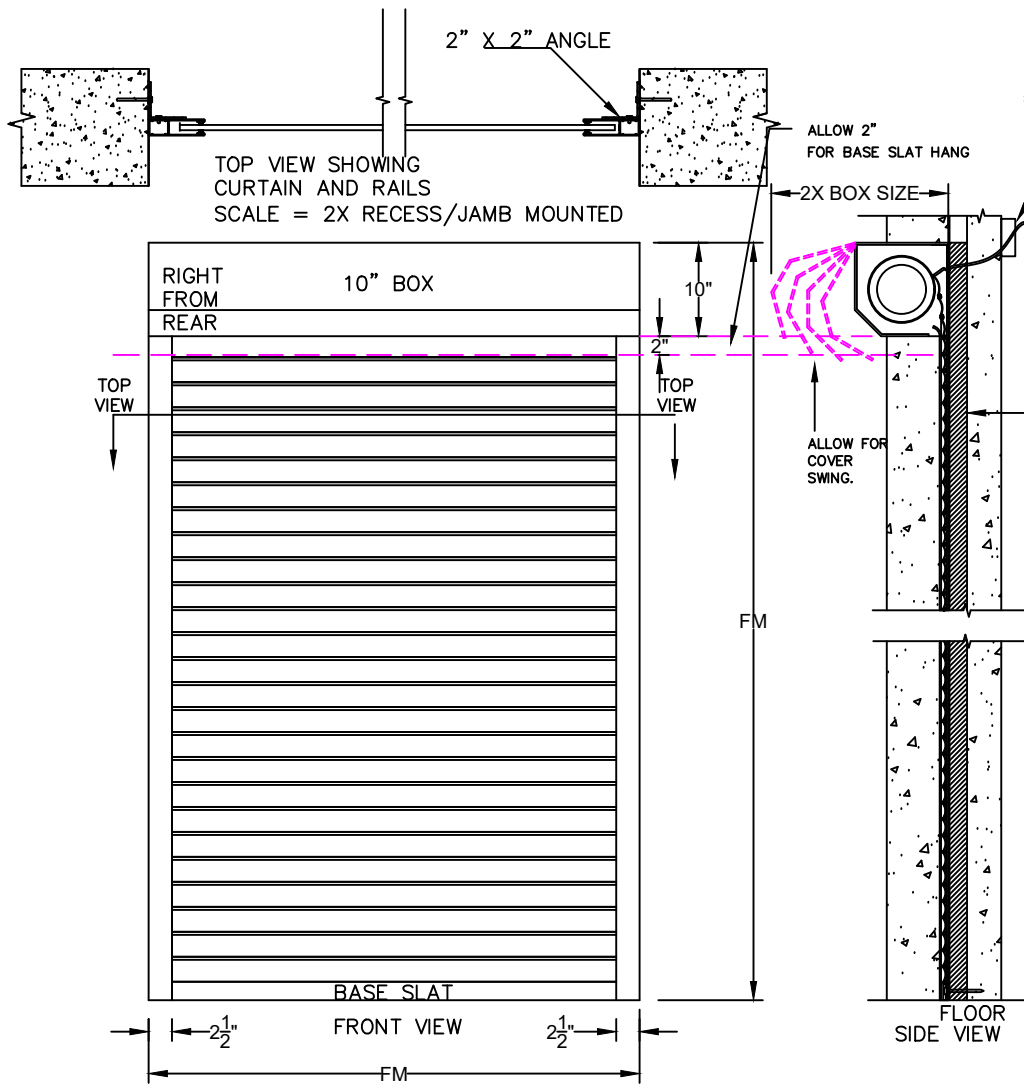
**OPERATOR DETAILS TO BE SPECIFIED DURING DETAILED PLANNING.



*SURFACE MOUNT DETAIL RAILS AND COVER BOX

SHUTTER SURFACE MOUNT

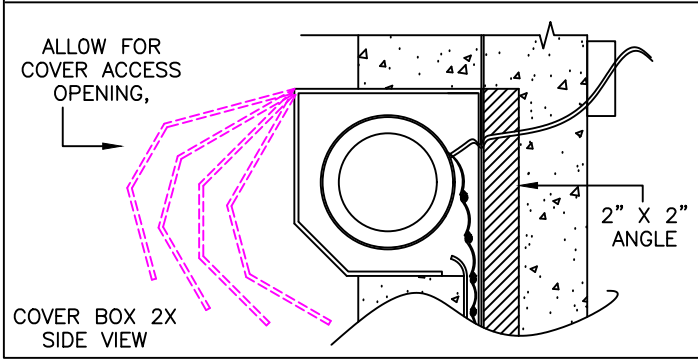
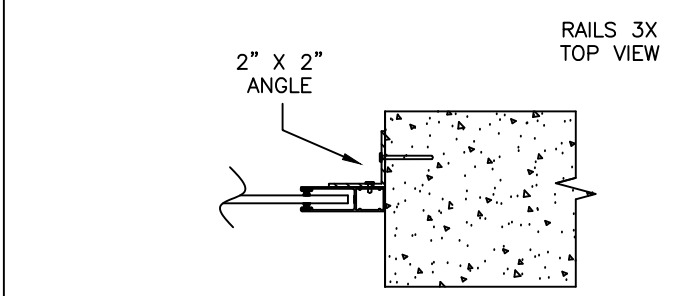
ROLLAC		NAME	DATE	PROJECT:
DRAWN	TRAVIS E.	2017/03/08		
CHECKED	STEFAN P.	2017/03/08		DESCRIPTION:
APPR.		YYYY/MM/DD		SYSTEM SPECIFICATION SHEETS FOR A150 SHUTTER SYSTEM.
UNLESS OTHERWISE SPECIFIED DIMENSIONS ARE IN INCHES				
ANGLES	.X ± .5	.XX ± .1	.XXX ± .03	.XXX ± .005
Copyright © 2017 Rollac V2.28.2017		THIRD ANGLE PROJECTION		SIZE DWG. NO.
ROLLAC ROLLING SHUTTERS 5331 W. ORANGE ST. PEARLAND, TX 77581 TEL: 281-485-1911 WWW.ROLLAC.COM		A150		REV A
		SCALE: NONE		WEIGHT: XX.XLBS 4 OF 16



**OPERATOR DETAILS TO BE SPECIFIED DURING DETAILED PLANNING.

J-BOX FOR ELECTRICAL CONNECTION (MOTOR)

**OPERATOR DETAILS *SEE RECESS/JAMB MOUNT DETAIL

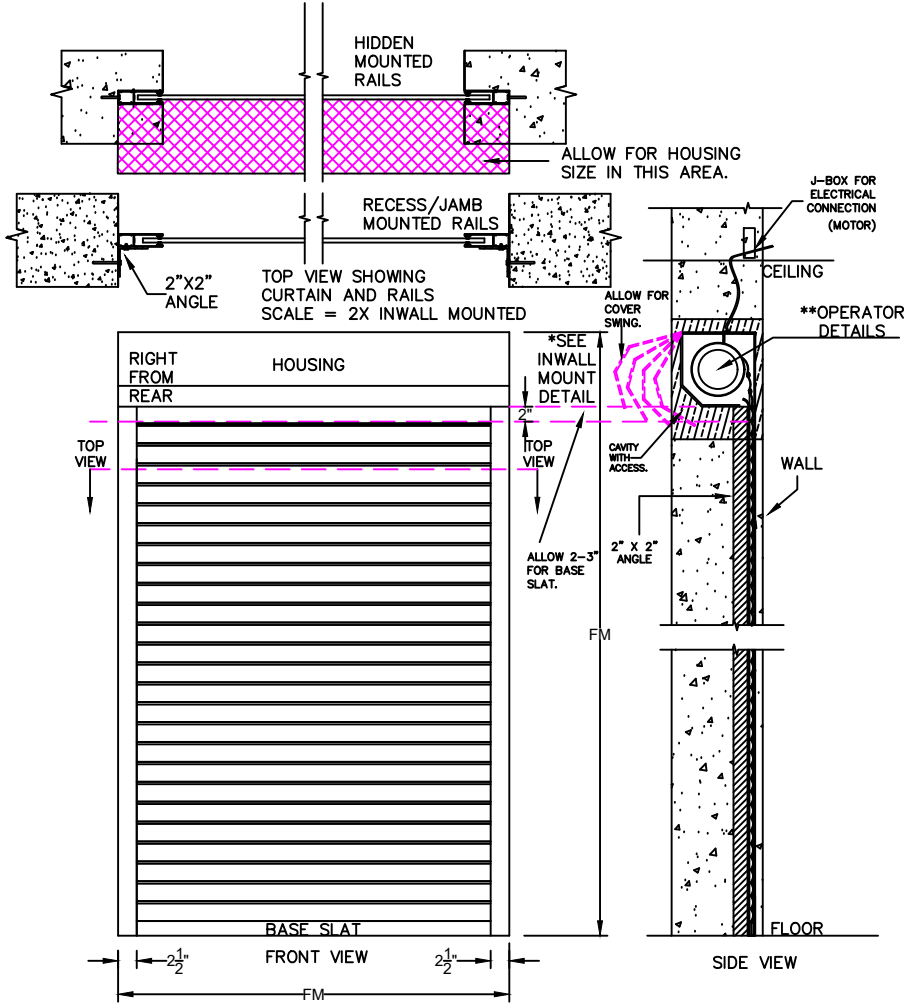


*RECESS/JAMB MOUNT DETAIL RAILS AND COVER BOX

RECESS/JAMB MOUNT

<p>Copyright © 2017 Rollac V2.28.2017</p> <p>ROLLAC ROLLING SHUTTERS 5331 W. ORANGE ST. PEARLAND, TX 77581 TEL: 281-485-1911 WWW.ROLLAC.COM</p>	NAME	DATE	PROJECT:	
	DRAWN	TRAVIS E.	2017/03/08	DESCRIPTION: SYSTEM SPECIFICATION SHEETS FOR A150 SHUTTER SYSTEM.
	CHECKED	STEFAN P.	2017/03/08	
	APPR.		YYYY/MM/DD	
UNLESS OTHERWISE SPECIFIED DIMENSIONS ARE IN INCHES			SIZE DWG. NO.	
ANGLES	X ± .5	.XX ± .1	.XXX ± .03	REV A
THIRD ANGLE PROJECTION			SCALE: NONE WEIGHT: XX.XLBS 5 OF 11	

INWALL MOUNT SHUTTER RAILS CAN BE MOUNTED HIDDEN OR RECESS/JAMB MOUNTED

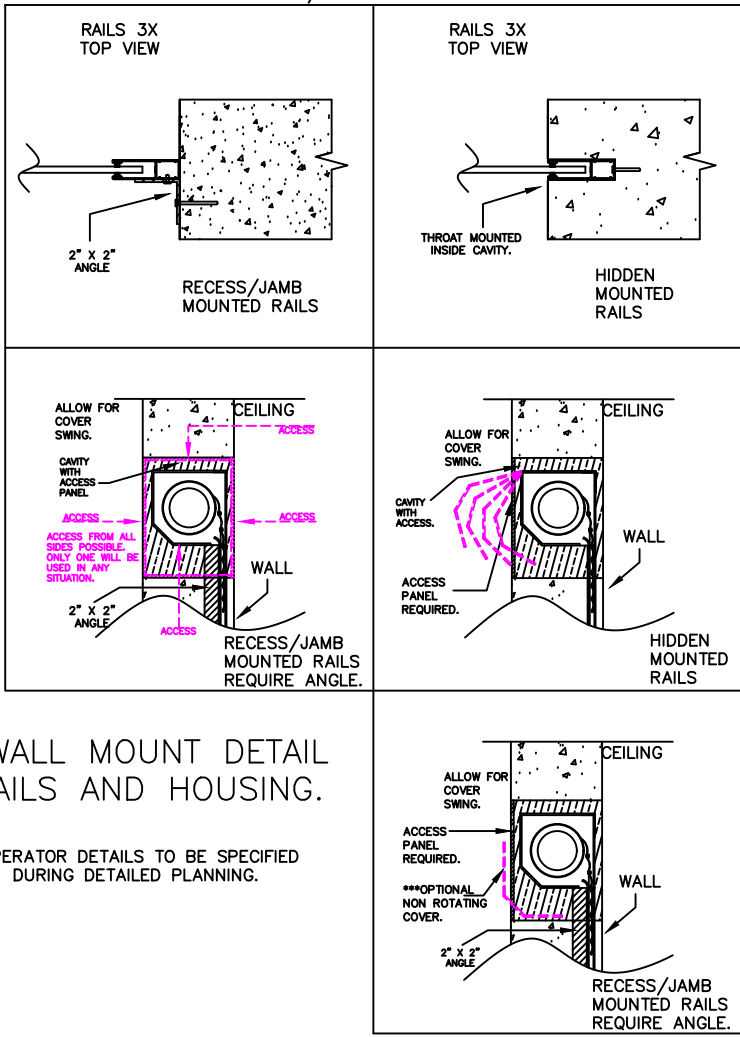


INWALL MOUNT

INWALL MOUNTED SHUTTERS ARE USUALLY MOUNTED INSIDE A CAVITY WITHIN THE HEADER ABOVE THE OPENING.

AN ACCESS PANEL WILL HAVE TO BE PROVIDED TO ENABLE INSTALLATION AND SERVICE. ACCESS CAN BE FROM EITHER SIDE, TOP OR BOTTOM. ACCESS TO BE DETERMINED DURING DETAIL SPECIFICATION.

THE OPTIONAL NON ROTATING COVER ALLOWS EASIER ACCESS INSIDE THE ACCESS PANEL IN SOME INSTALLATIONS. CONTACT ROLLAC FOR MORE DETAILS.

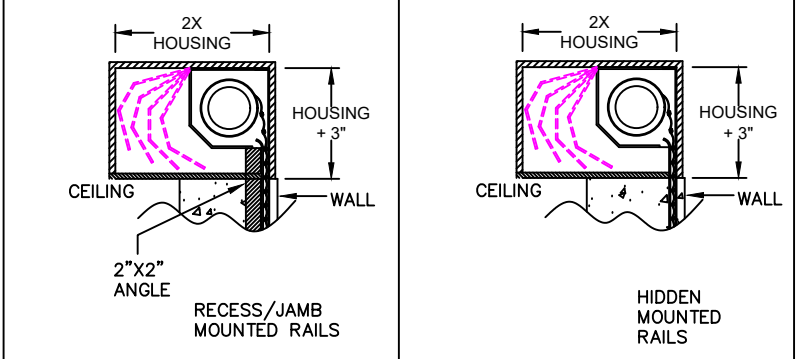
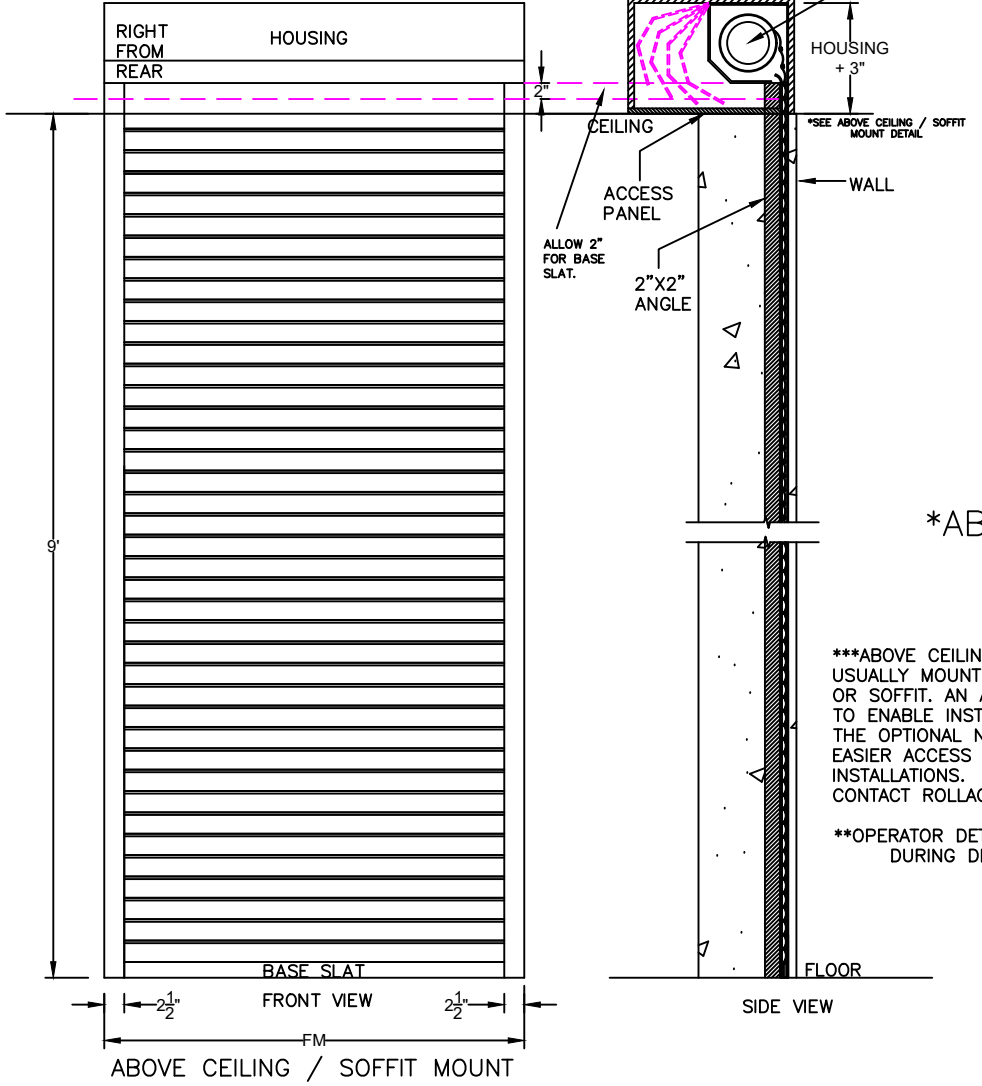
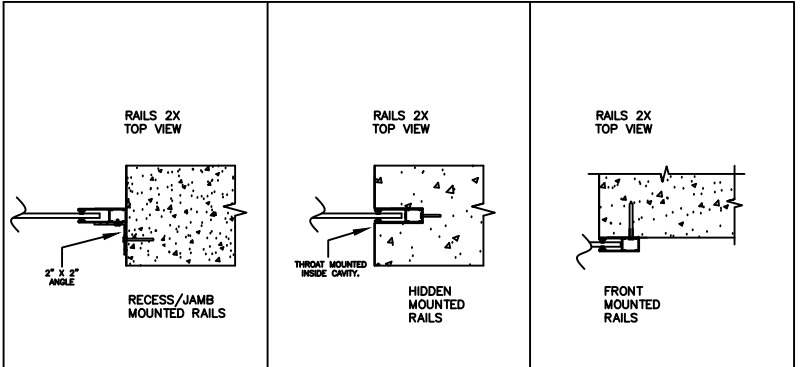
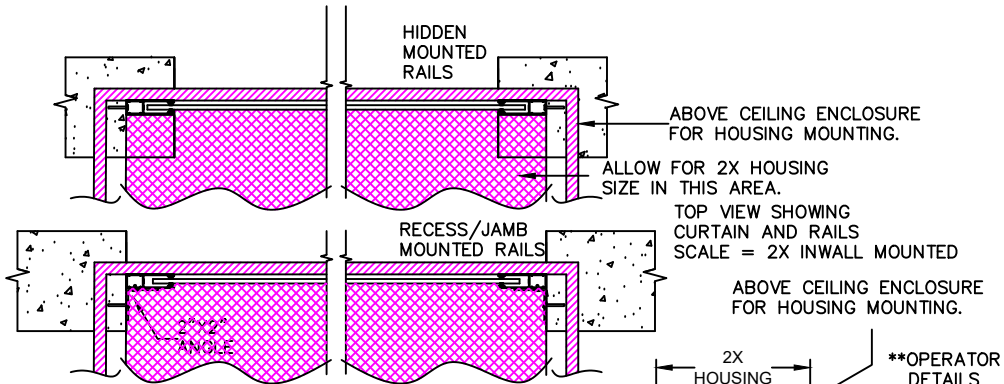


*INWALL MOUNT DETAIL
RAILS AND HOUSING.

**OPERATOR DETAILS TO BE SPECIFIED
DURING DETAILED PLANNING.

	NAME	DATE	PROJECT:
	DRAWN	TRAVIS E.	2017/03/08
	CHECKED	STEFAN P.	2017/03/08
APPR.		YYYY/MM/DD	DESCRIPTION:
UNLESS OTHERWISE SPECIFIED DIMENSIONS ARE IN INCHES			SYSTEM SPECIFICATION SHEETS FOR A150 SHUTTER SYSTEM.
ANGLES	.X ± .5	.XX ± .1	
		SIZE DWG. NO.	REV
THIRD ANGLE PROJECTION		A	A150 A
		SCALE: NONE	WEIGHT: XX.XLBS
		6 OF 11	

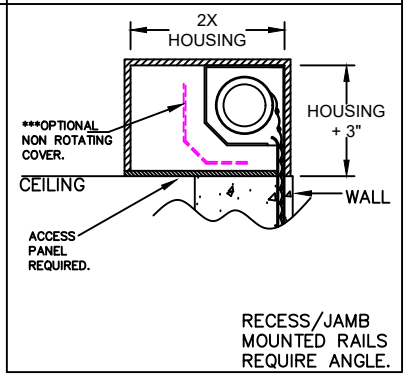
ABOVE CEILING / SOFFIT MOUNT SHUTTER RAILS CAN BE FRONT MOUNTED, HIDDEN OR RECESS/JAMB MOUNTED.



*ABOVE CEILING / SOFFIT MOUNT DETAIL RAILS AND HOUSING.

***ABOVE CEILING/SOFFIT MOUNTED SHUTTERS ARE USUALLY MOUNTED INSIDE A CAVITY ABOVE THE CEILING OR SOFFIT. AN ACCESS PANEL WILL HAVE TO BE PROVIDED TO ENABLE INSTALLATION AND SERVICE. THE OPTIONAL NON ROTATING COVER ALLOWS EASIER ACCESS INSIDE THE ACCESS PANEL IN SOME INSTALLATIONS. CONTACT ROLLAC FOR MORE DETAILS.

**OPERATOR DETAILS TO BE SPECIFIED DURING DETAILED PLANNING.



ROLLAC

Copyright © 2017 Rollac
V2.28.2017

ROLLAC ROLLING SHUTTERS
5331 W. ORANGE ST.
PEARLAND, TX 77581
TEL: 281-485-1911
WWW.ROLLAC.COM

NAME	DATE
DRAWN TRAVIS E.	2017/03/08
CHECKED STEFAN P.	2017/03/08
APPR.	YYYY/MM/DD
UNLESS OTHERWISE SPECIFIED DIMENSIONS ARE IN INCHES	
ANGLES	X .XX .00X ± .5 ± .1 ± .03 ± .005
THIRD ANGLE PROJECTION	

PROJECT:		
DESCRIPTION:	SYSTEM SPECIFICATION SHEETS FOR A150 SHUTTER SYSTEM.	
SIZE DWG. NO.	A	REV A
SCALE: NONE	WEIGHT: XX.XLBS	7 OF 11

Recommended Fastener - Schedule A-150


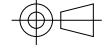
Substrate	Type of Screw	Commonly Used	Minimum Embedment (E.D.)	Minimum Edge Distance	Screw Hole Spacing
Wood Framing	#14 Wood or Lag Screw Pan Head, Phillips	Wood Screw #14 Stainless Steel, Pan Head, Phillips STUCCO: #14 x 3*, FIBER CEMENT BOARD: #14 x 3 BRICK-VENEER: #14 x 4 (Screw length depends on brick size and distance to wood framing)	1.5" Threaded Penetration to Existing Wood Stud	2" Edge Distance	<u>Drill hole Spacing:</u> 12" Approximately every 12" or less starting 4" from the bottom up to 4" from the top. <u>Drill hole Size:</u>
Concrete	#14 Screw Pan Head, Phillips with S7 Fisher Anchor or Plug	#14 X 2" screw with Fisher S7 Anchor or Plug Please.	Follow the installation instructions on the Fisher Plug but we recommend the embedment to be around 1.75" Minimum.	3" Edge Distance	The Standard Recommended Drill hole is $\frac{1}{2}$ ". Rollac will do a step drill with $\frac{1}{2}$ " entry and $\frac{1}{4}$ " exit hole. This type of drill will fit all #14 screws.
Aluminum / Build Out / Angles	#14 TEK Screw Pan Head, Phillips	#14 X 1 Self Drilling PP SS TEK (TEK = Self Drilling)	n.a.	n.a.	Please advise if other screws, such as Tapcon Anchors, are used as it will change the drill size..
Red Iron	TEKS 5 Screws #12 ** Hexagon Head, Phillips	#12	n.a.	n.a.	

* No embedment into stucco shall be considered as part of the required embedment

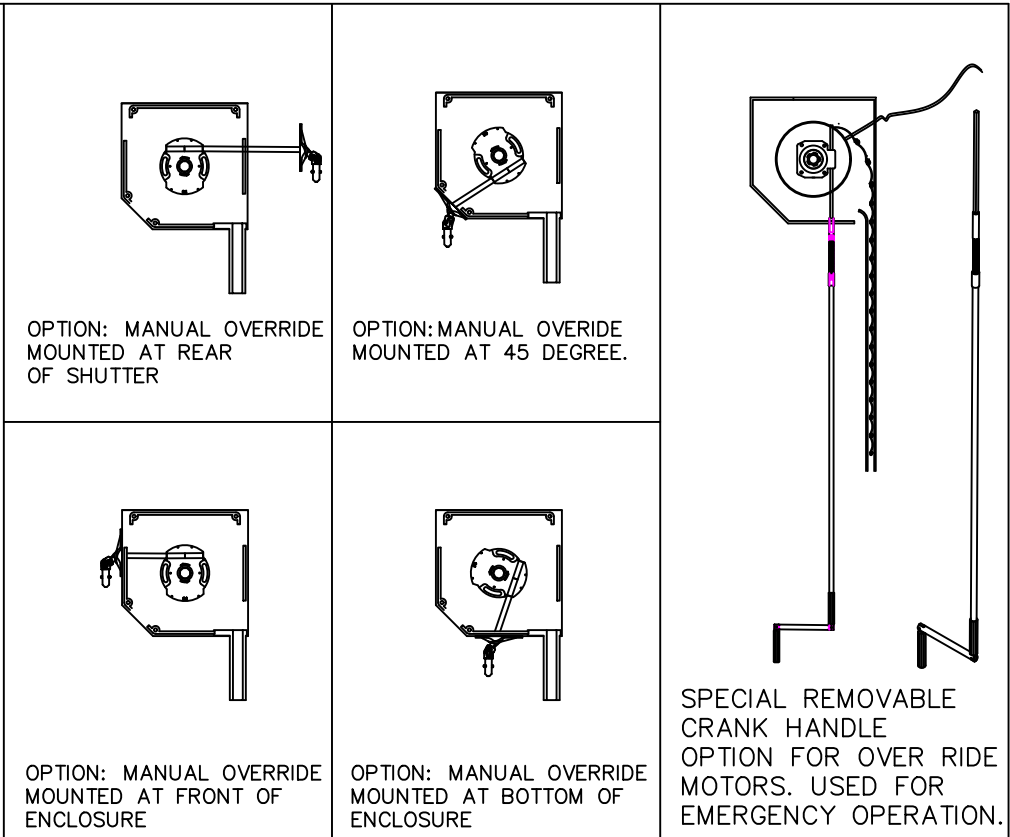
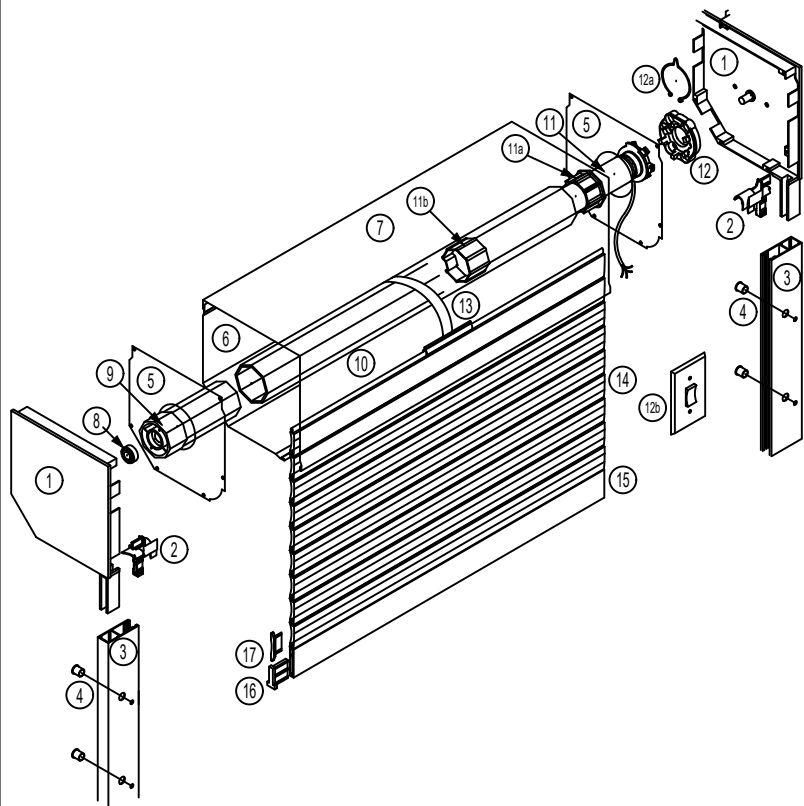
** Screw shall not be made out of stainless steel as material is too soft to drill into a steel structure. Use other corrosion resistant material

Disclaimer: It is the responsibility of the installer to verify that the surface and structure is suitable to install a rolling shutter. Fastener schedule is a recommendation. Installer to verify that rolling shutter is securely fastened.

Choose Corrosion Resistant Material that is appropriate for the environment in which the product is being installed. Choose appropriate screw length to meet minimum embedment.

		NAME	DATE	PROJECT:	
		DRAWN	TRAVIS E.		2017/03/08
Copyright © 2017 Rollac V2.28.2017 ROLLAC ROLLING SHUTTERS 5331 W. ORANGE ST. PEARLAND, TX 77581 TEL: 281-485-1911 WWW.ROLLAC.COM		CHECKED	STEFAN P.	2017/03/08	DESCRIPTION: SYSTEM SPECIFICATION SHEETS FOR A150 SHUTTER SYSTEM.
		APPR.		YYYY/MM/DD	
UNLESS OTHERWISE SPECIFIED DIMENSIONS ARE IN INCHES		ANGLES	X	.XX	.XXX
			± .5	± .1	± .03
 THIRD ANGLE PROJECTION		SIZE	DWG. NO.		REV
		A	A150		A
		SCALE: NONE	WEIGHT: XX.XLBS	8 OF 16	

MOTORIZED ROLLING SHUTTER MANUAL OVERRIDE OPTIONS.



OPTION: MANUAL OVERRIDE MOUNTED AT REAR OF SHUTTER

OPTION: MANUAL OVERRIDE MOUNTED AT 45 DEGREE.

OPTION: MANUAL OVERRIDE MOUNTED AT FRONT OF ENCLOSURE

OPTION: MANUAL OVERRIDE MOUNTED AT BOTTOM OF ENCLOSURE

SPECIAL REMOVABLE CRANK HANDLE OPTION FOR OVER RIDE MOTORS. USED FOR EMERGENCY OPERATION.

- | | | |
|--|---------------------------|-------------------------|
| ① Side/End Cap | ⑧ Ball Bearing | ⑫a Spring Ring |
| ② Entry Guide | ⑨ Idler Insert (PVC) | ⑫b Switch / Opt. Remote |
| ③ 2 1/8" Guide Rail / Opt. 2 1/2" Guide Rail | ⑩ 60/70 mm Octagonal Axle | ⑬ Springlock Hanger |
| ④ Plug Button | ⑪ Tubular Motor | ⑭ A150 Slats |
| ⑤ Safety Plate | ⑪a Crown | ⑮ Base Slat |
| ⑥ Housing (Front/Bottom) 6"-10" | ⑪b Drive | ⑯ Interior Nylon Stop |
| ⑦ Housing (Top/Back) 6"-10" | ⑫ Motor Bracket * | ⑰ Side Lock |

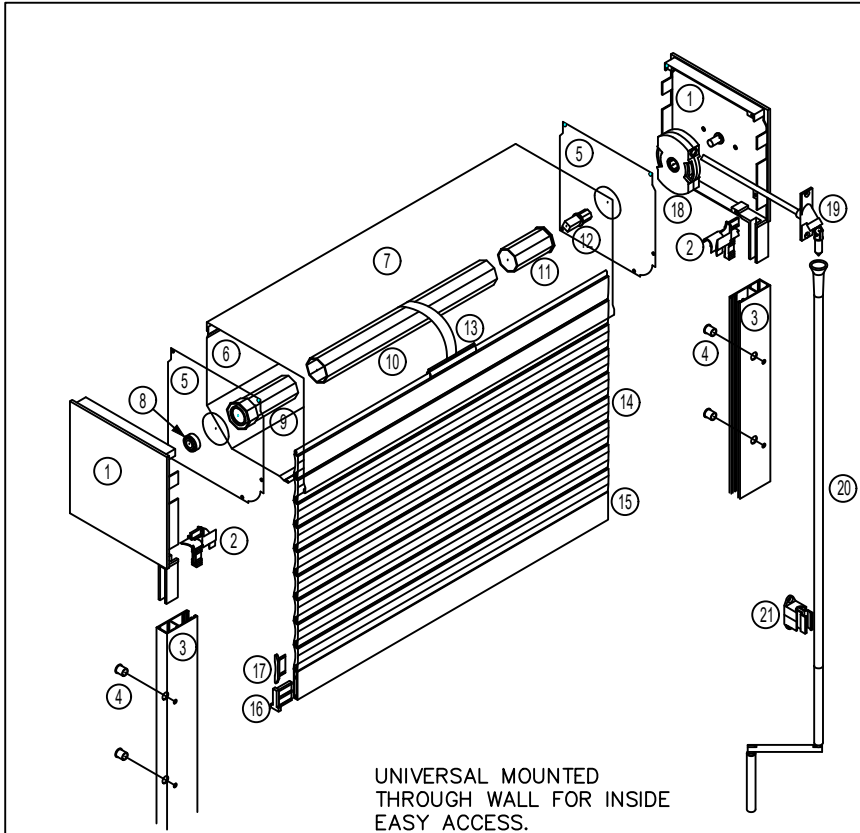
*(Bracket may vary by motor brand and type.)

DuraComfort A150 System - MOTOR OPERATED

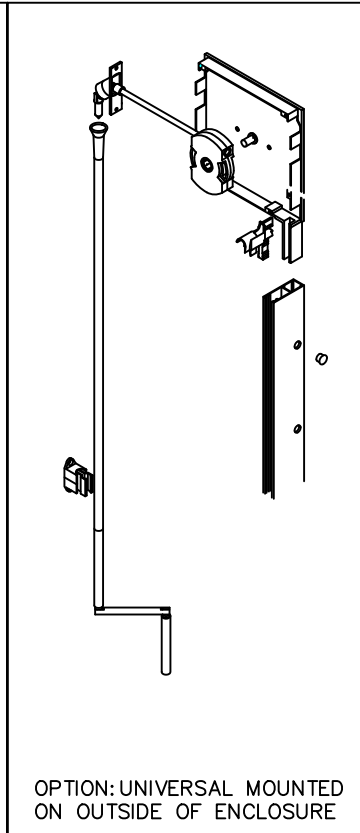
Copyright © 2017 by Rollac Rolling Shutters

ROLLAC		NAME	DATE	PROJECT:								
DRAWN	TRAVIS E.	2017/03/08										
CHECKED	STEFAN P.	2017/03/08										
APPR.		YYYY/MM/DD										
UNLESS OTHERWISE SPECIFIED DIMENSIONS ARE IN INCHES				DESCRIPTION:								
<table border="1"> <tr> <td>ANGLES</td> <td>.X</td> <td>.XX</td> <td>.XXX</td> </tr> <tr> <td>± .5</td> <td>± .1</td> <td>± .03</td> <td>± .005</td> </tr> </table>				ANGLES	.X	.XX	.XXX	± .5	± .1	± .03	± .005	SYSTEM SPECIFICATION SHEETS FOR A150 SHUTTER SYSTEM.
ANGLES	.X	.XX	.XXX									
± .5	± .1	± .03	± .005									
Copyright © 2017 Rollac V2.28.2017 ROLLAC ROLLING SHUTTERS 5331 W. ORANGE ST. PEARLAND, TX 77581 TEL: 281-485-1911 WWW.ROLLAC.COM				SIZE DWG. NO.								
THIRD ANGLE PROJECTION				A150 SCALE: NONE WEIGHT: XX.XLBS 9 OF 16								
				REV A								

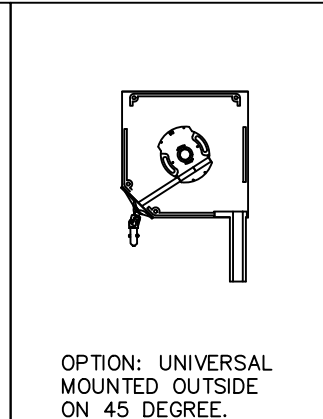
ROLLING SHUTTER GEAR OPERATION OPTIONS



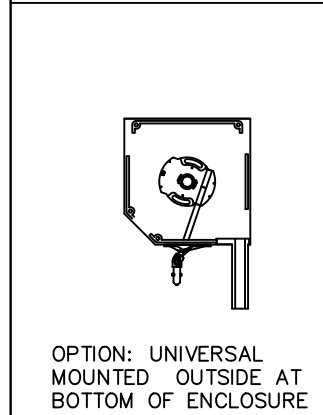
UNIVERSAL MOUNTED THROUGH WALL FOR INSIDE EASY ACCESS.



OPTION: UNIVERSAL MOUNTED ON OUTSIDE OF ENCLOSURE



OPTION: UNIVERSAL MOUNTED OUTSIDE ON 45 DEGREE.



OPTION: UNIVERSAL MOUNTED OUTSIDE AT BOTTOM OF ENCLOSURE

- | | | |
|---|------------------------|-----------------------|
| ① Side/End Cap | ⑧ Ball Bearing | ⑮ Base Slat |
| ② Entry Guide | ⑨ Idler Insert (PVC) | ⑯ Interior Nylon Stop |
| ③ 2 1/8" Guide Rail/ Opt. 2 1/2" Guide Rail | ⑩ 60 mm Octagonal Axle | ⑰ Side Lock |
| ④ Plug Button | ⑪ Gear Insert | ⑱ Gear |
| ⑤ Safety Plate | ⑫ Gear Connector | ⑲ Universal |
| ⑥ Housing (Front/Bottom) 6"-10" | ⑬ Springlock Hanger | ⑳ Crank Handle |
| ⑦ Housing (Top/Back) 6"-10" | ⑭ A150 Slats | ㉑ Crank Holder |

DuraComfort A150 System - GEAR OPERATED
 Copyright © 2017 by Rollac Rolling Shutters



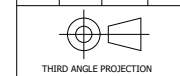
Copyright © 2017 Rollac
 V2.28.2017

ROLLAC ROLLING SHUTTERS
 5331 W. ORANGE ST.
 PEARLAND, TX 77581
 TEL: 281-485-1911
 WWW.ROLLAC.COM

	NAME	DATE
DRAWN	TRAVIS E.	2017/03/08
CHECKED	STEFAN P.	2017/03/08
APPR.		YYYY/MM/DD

UNLESS OTHERWISE SPECIFIED
 DIMENSIONS ARE IN INCHES

ANGLES	.X ± .5	.XX ± .1	.XXX ± .03	.XXX ± .005
--------	------------	-------------	---------------	----------------

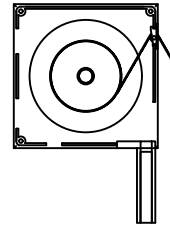
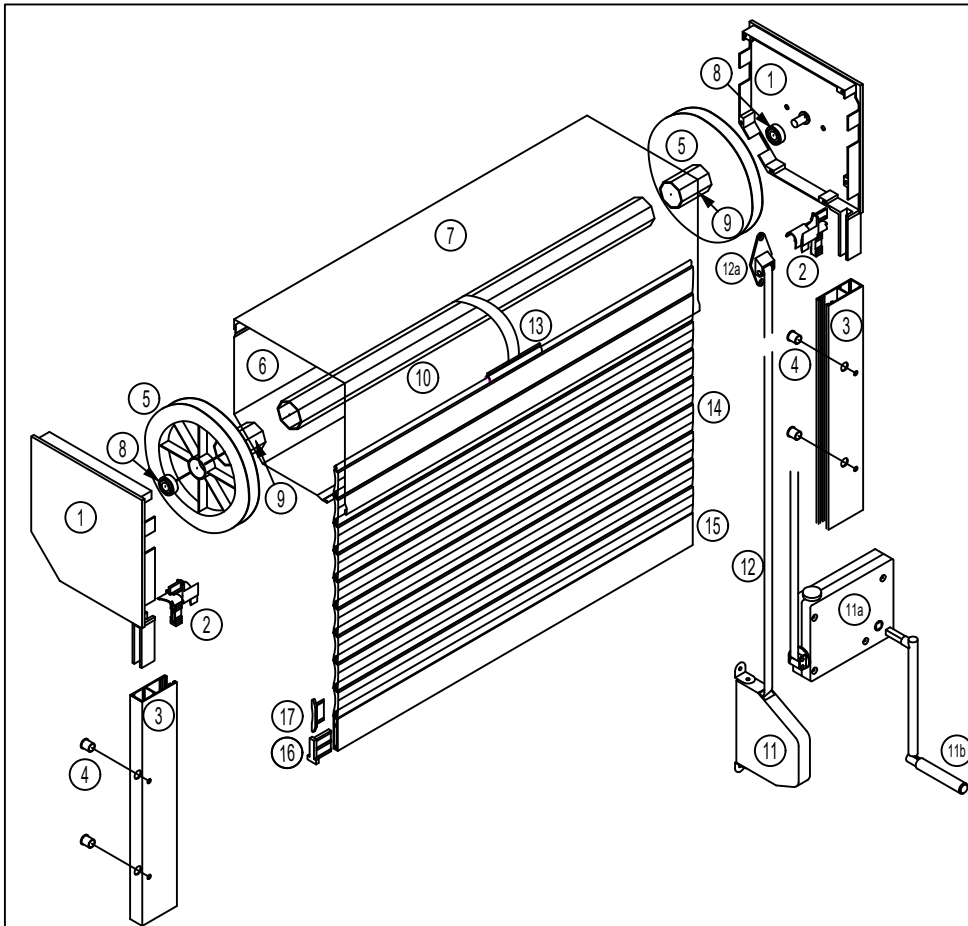


PROJECT:

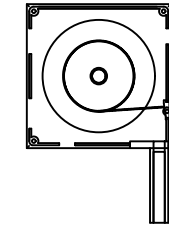
DESCRIPTION:
 SYSTEM SPECIFICATION SHEETS FOR
 A150 SHUTTER SYSTEM.

SIZE	DWG. NO.	REV
A	A150	A
SCALE: NONE	WEIGHT: XX.XLBS	10 OF 16

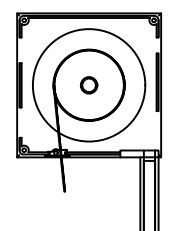
ROLLING SHUTTER TAPE LOCATION OPTIONS.



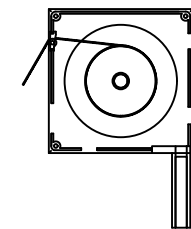
TAPE ROLLER MOUNTED AT TOP REAR OF SHUTTER NORMALLY GOING THROUGH TO INTERIOR WALL



TAPE ROLLER MOUNTED AT BOTTOM REAR OF SHUTTER NORMALLY GOING THROUGH TO INTERIOR WALL



TAPE ROLLER MOUNTED AT BOTTOM OF SHUTTER NORMALLY MOUNTED ON THE EXTERIOR WALL



TAPE ROLLER MOUNTED AT TOP OF SHUTTER NORMALLY MOUNTED ON THE EXTERIOR WALL

- | | | |
|--|--|------------------------|
| 1 Side/End Cap | 8 Ball Bearing | 12a Tape Guide |
| 2 Entry Guide | 9 Idler Insert (PVC) - Telescopic | 13 Springlock Hanger |
| 3 2 1/8" Guide Rail / Opt. 2 1/2" Guide Rail | 10 40 mm Axle (Galvanized/Aluminum) | 14 A150 Slats |
| 4 Plug Button | 11 Mini Recoil Box | 15 Base Slat |
| 5 Pulley (Mini) PVC | 11a Mini Tape Crank Box (option alternative) | 16 Interior Nylon Stop |
| 6 Housing (Front/Bottom) 6"-10" | 11b Crank Handle (option alternative) | 17 Side Lock |
| 7 Housing (Top/Back) 6"-10" | 12 Tape | |

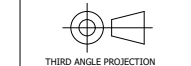
DuraComfort A150 System - TAPE DRIVE OPERATED
 Copyright © 2017 by Rollac Rolling Shutters



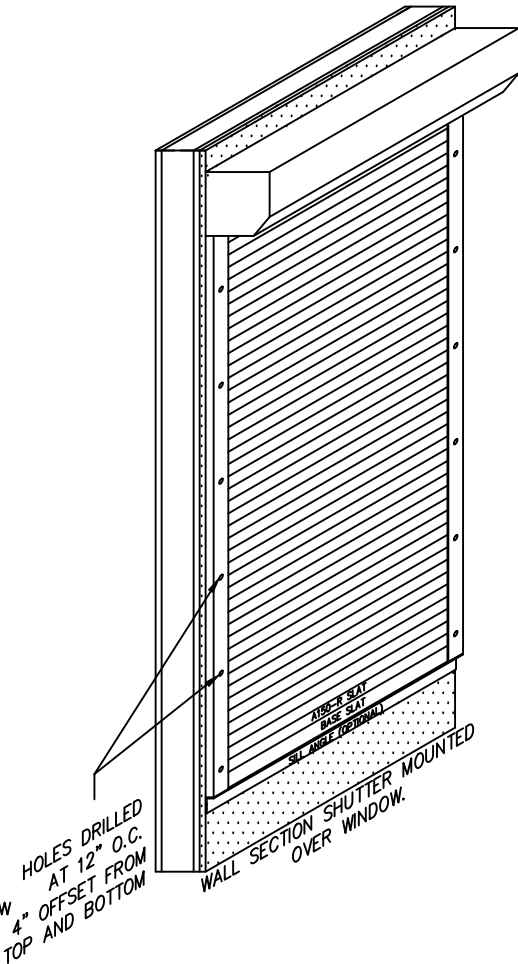
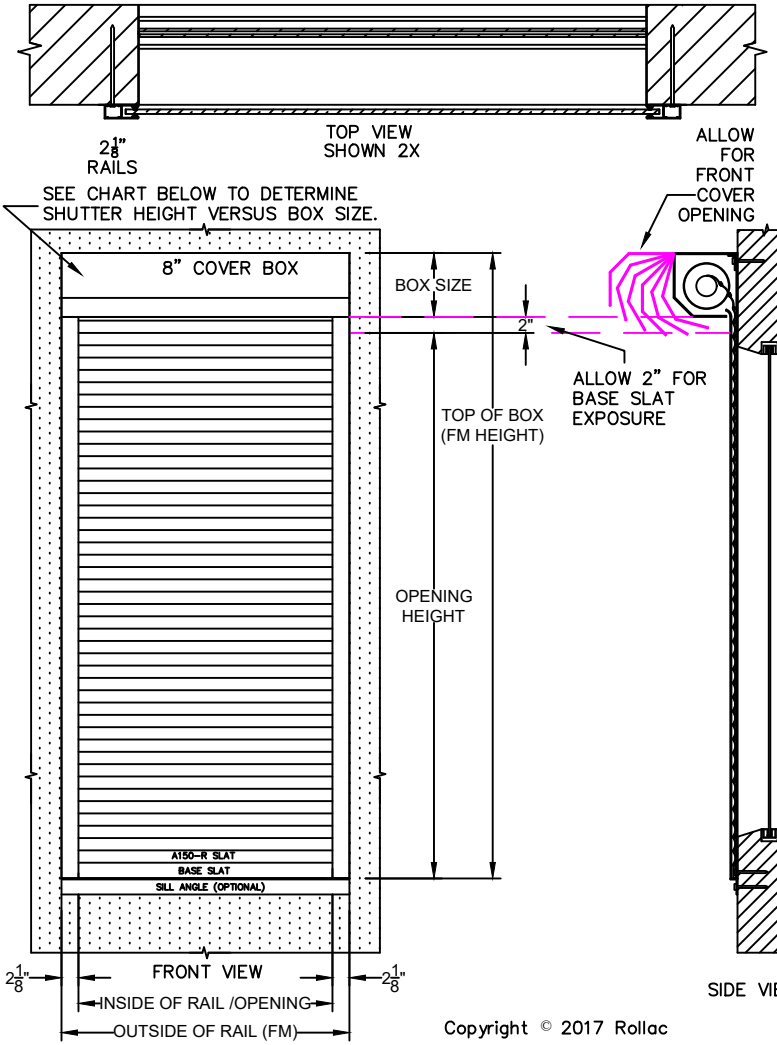
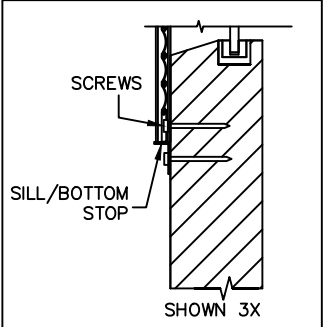
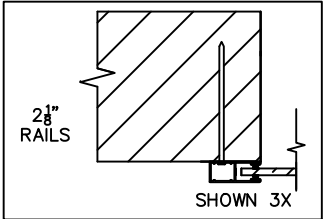
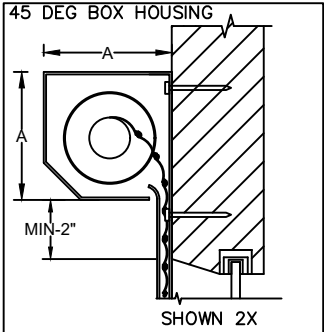
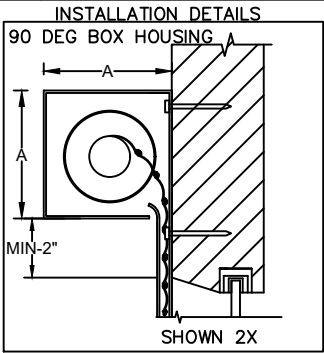
Copyright © 2017 Rollac
 V2.28.2017
 ROLLAC ROLLING SHUTTERS
 5331 W. ORANGE ST.
 PEARLAND, TX 77581
 TEL: 281-485-1911
 WWW.ROLLAC.COM

NAME	DATE	PROJECT:
DRAWN TRAVIS E.	2017/03/08	
CHECKED STEFAN P.	2017/03/08	
APPR.	YYYY/MM/DD	
UNLESS OTHERWISE SPECIFIED DIMENSIONS ARE IN INCHES		
ANGLES	.X ± .1	.XX ± .03
	.XXX ± .005	

DESCRIPTION:
 SYSTEM SPECIFICATION SHEETS FOR A150 SHUTTER SYSTEM.



SIZE DWG. NO.	REV
A A150	A
SCALE: NONE	WEIGHT: XX.XLBS
11 OF 16	



DuraComfort A150 SYSTEM

RECOMMENDED OPENING WIDTH 2' - 10' (WITH MOTOR 3' - 10')
RECOMMENDED OPENING HEIGHT 2' - 10'
RECOMMENDED MAXIMUM USAGE 81 SQ FT.
CURTAIN WEIGHT .875 lbs./sq ft.
PROFILE HEIGHT 1.57"
SYSTEM WEIGHT 2X CURTAIN WEIGHT

DuraComfort A150 System Specification- 2 1/8" Rail

OPERATOR OPTIONS; TAPE
GEAR
MOTOR
MOTOR/OVERRIDE

RAIL OPTIONS; 2 1/8" STANDARD
2 1/2" OPTIONAL

APPLICATIONS FOR THE DuraComfort A150 SYSTEM

RESIDENTIAL COMFORT, PRIVACY, SECURITY, SOLAR SHADING

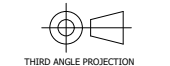
DuraComfort A150 System - Housing Size(A) Versus FM Height of Shutter.

A150	FM Height ft.	2.5	3	3.5	4	4.5	5	5.5	6	6.5	7	7.5	8	8.5	9	9.5	10
	Housing Size(A) in.	6	6	6.5	6.5	6.5	7	8	8	8	8	8	8	8	9	9	9
	Rail Size in.	2 1/8	2 1/8	2 1/8	2 1/8	2 1/8	2 1/8	2 1/8	2 1/8	2 1/8	2 1/8	2 1/8	2 1/8	2 1/8	2 1/8	2 1/8	2 1/8



Copyright © 2017 Rollac
V2.28.2017
ROLLAC ROLLING SHUTTERS
5331 W. ORANGE ST.
PEARLAND, TX 77581
TEL: 281-485-1911
WWW.ROLLAC.COM

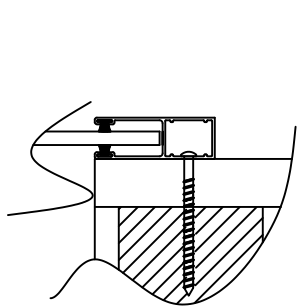
NAME	DATE
DRAWN TRAVIS E.	2017/03/08
CHECKED STEFAN P.	2017/03/08
APPR.	YYYY/MM/DD
UNLESS OTHERWISE SPECIFIED DIMENSIONS ARE IN INCHES	
ANGLES	.X ± .5 .X ± .1 .XX ± .03 .XXX ± .005



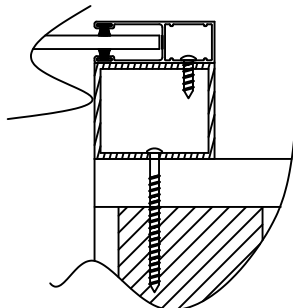
PROJECT:	DESCRIPTION:
	SYSTEM SPECIFICATION SHEETS FOR A150 SHUTTER SYSTEM.
SIZE DWG. NO.	REV
A	A150
SCALE: NONE	WEIGHT: XX.XLBS
12 OF 16	

Copyright © 2017 Rollac

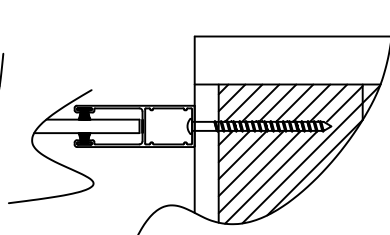
STANDARD RAIL MOUNTING OPTIONS



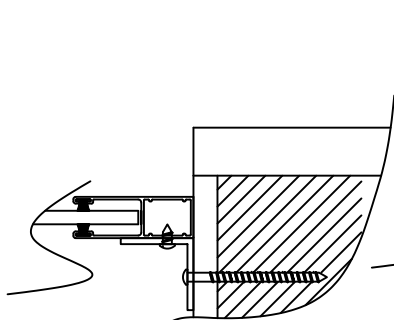
Flush Mount
"A" Type Rails



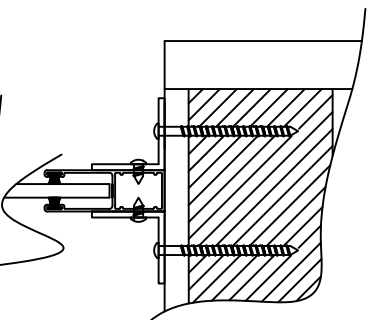
Build Out Mount
"A" Type Rails



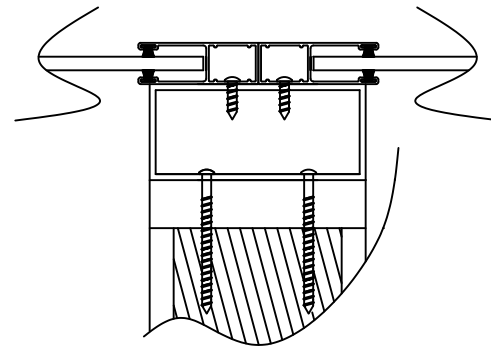
Inside Jamb
Throat Drill Mount
"A" Type Rails



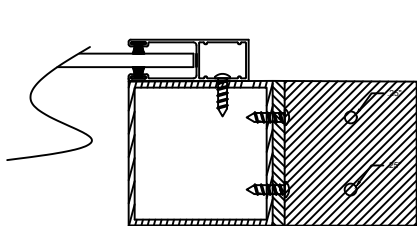
Inside Jamb
"A" Type Rails
Angle Attachment



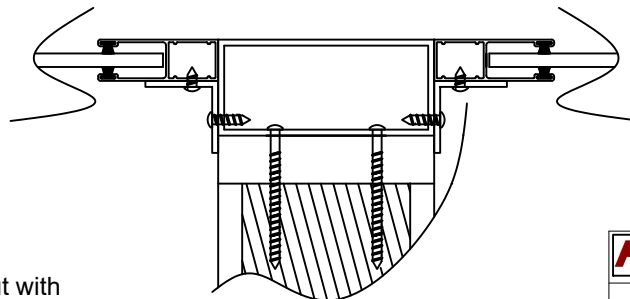
Inside Jamb Mount
"A" Type Rails
Dual Angle Attachment




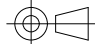
Build Out Mount
Two "A" Type Rails

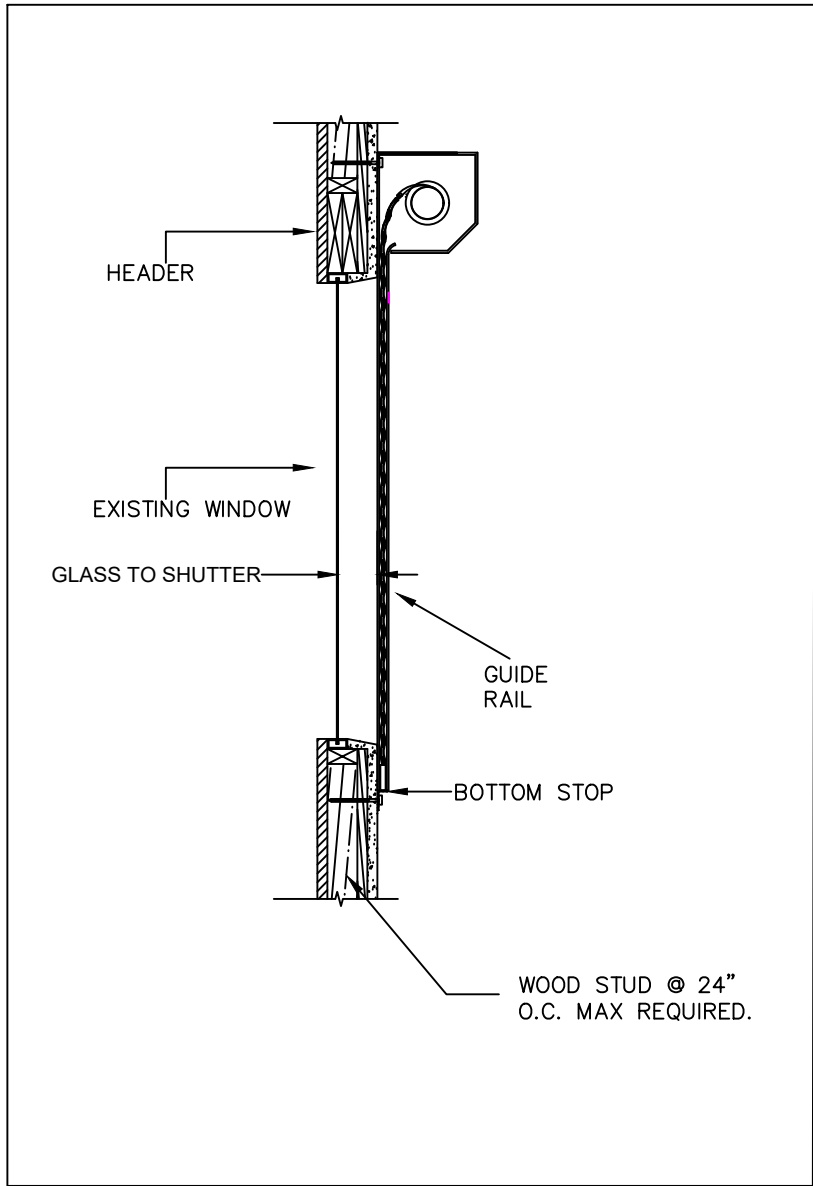
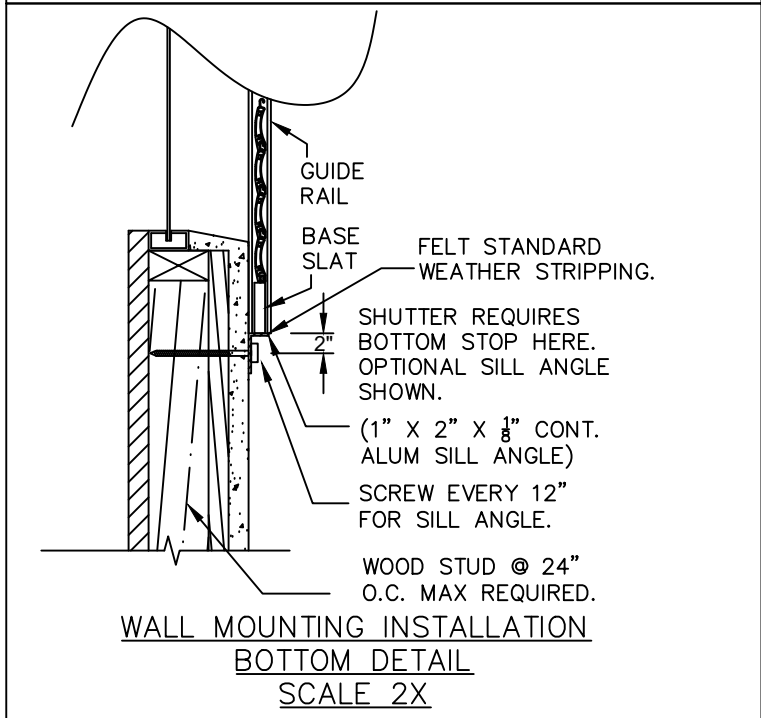
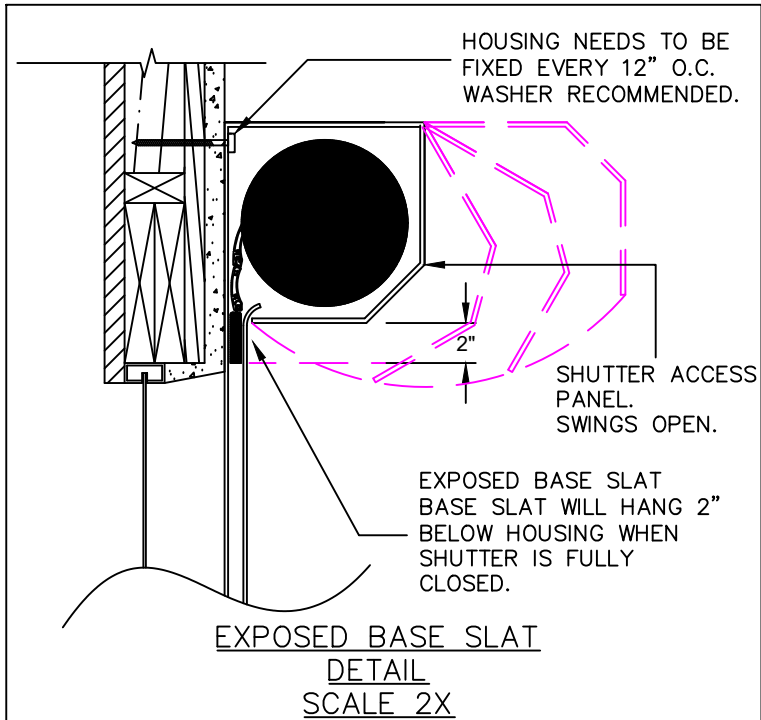


3 Inch X 3 Inch Clip.
Mounted to 3 Inch X 3 inch Build Out with
rails attached. Use one clip at floor and
ceiling for each rail to mount shutter
when no other mounting options are
available. Other sizes are available.



Mount Two "A" Type Rails
Flush On Build Out With Angles

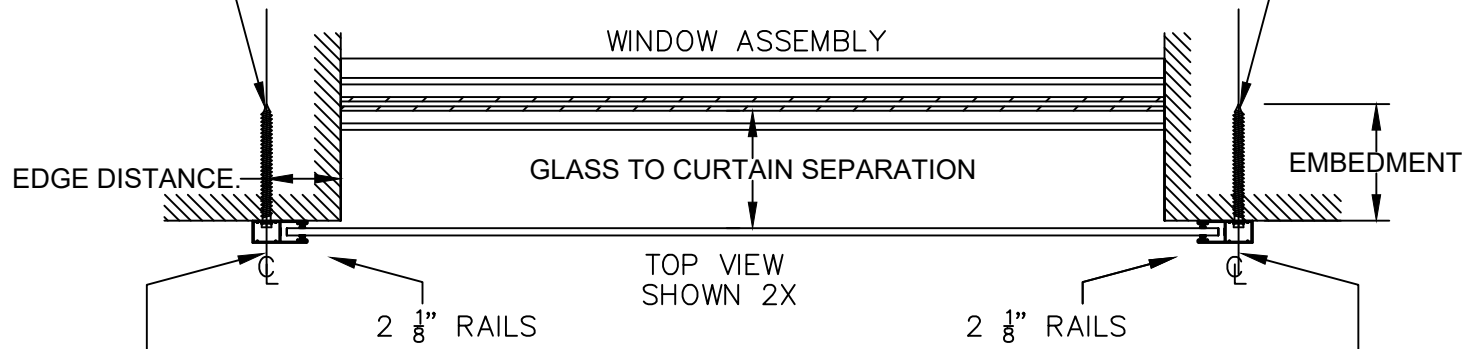
ROLLAC 		NAME	DATE	PROJECT:
DRAWN	TRAVIS E.	2017/03/08		
CHECKED	STEFAN P.	2017/03/08		
APPR.		YYYY/MM/DD		
UNLESS OTHERWISE SPECIFIED DIMENSIONS ARE IN INCHES				DESCRIPTION: SYSTEM SPECIFICATION SHEETS FOR A150 SHUTTER SYSTEM.
ANGLES	.X ± .5	.XX ± .1	.XXX ± .03	.00X ± .005
THIRD ANGLE PROJECTION 				SIZE DWG. NO. A A150 A
Copyright © 2017 Rollac V2.28.2017 ROLLAC ROLLING SHUTTERS 5331 W. ORANGE ST. PEARLAND, TX 77581 TEL: 281-485-1911 WWW.ROLLAC.COM				SCALE: NONE WEIGHT: XX.XLBS 13 OF 16



ROLLAC		NAME	DATE	PROJECT:
DRAWN	TRAVIS E.	2017/03/08		
CHECKED	STEFAN P.	2017/03/08		
APPR.		YYYY/MM/DD		
UNLESS OTHERWISE SPECIFIED DIMENSIONS ARE IN INCHES				DESCRIPTION: SYSTEM SPECIFICATION SHEETS FOR A150 SHUTTER SYSTEM.
ANGLES	.X ± .5	.XX ± .1	.XXX ± .03	.00X ± .005
Copyright © 2017 Rollac V2.28.2017		THIRD ANGLE PROJECTION		SIZE DWG. NO. A A150
ROLLAC ROLLING SHUTTERS 5331 W. ORANGE ST. PEARLAND, TX 77581 TEL: 281-485-1911 WWW.ROLLAC.COM				REV A
		SCALE: NONE		WEIGHT: XX.XLBS 14 OF 16

(SEE FASTENER SCHEDULE FOR SCREW TYPE AND SPACING)

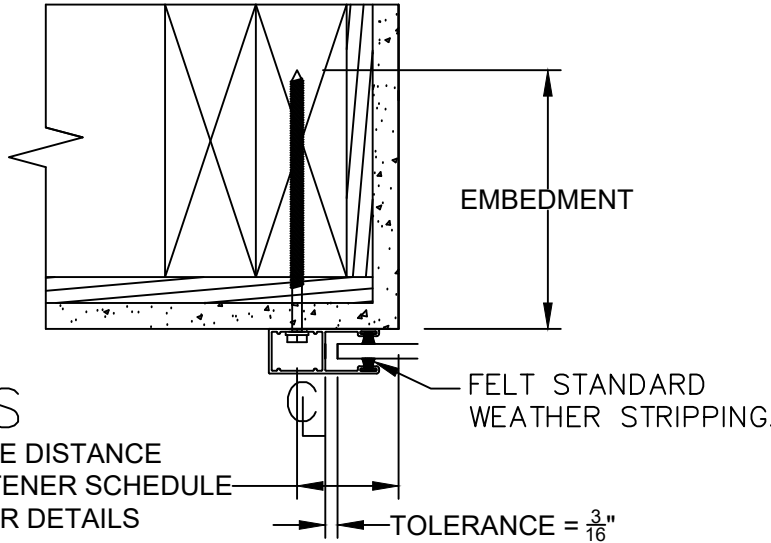
(SEE FASTENER SCHEDULE FOR SCREW TYPE AND SPACING)



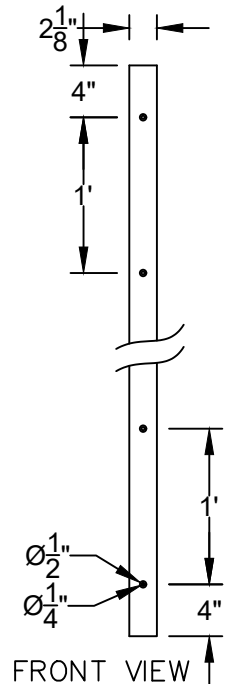
**WALL MOUNTING
SIDE RAIL CONNECTIONS
SCALE 2X**

OPEN HOLE & COVER W/ NYLON CAP

OPEN HOLE & COVER W/ NYLON CAP



**WALL MOUNTING
SIDE RAIL CONNECTIONS
TO WOOD CONSTRUCTION WALL
SCALE 2X**



RAIL DETAIL—STANDARD RAIL

RAIL HOLES ARE SPACED ABOUT 12" APART BEGINNING 4" FROM TOP AND BOTTOM. THE OUTSIDE HOLE IS 1/2" AND THE INSIDE HOLE IS 1/4" STANDARD. NYLON CAPS WILL BE PROVIDED FOR COVERING THE HOLES AFTER INSTALLATION.

ROLLAC

Copyright © 2017 Rollac V2.28.2017

ROLLAC ROLLING SHUTTERS
5331 W. ORANGE ST.
PEARLAND, TX 77581
TEL: 281-485-1911
WWW.ROLLAC.COM

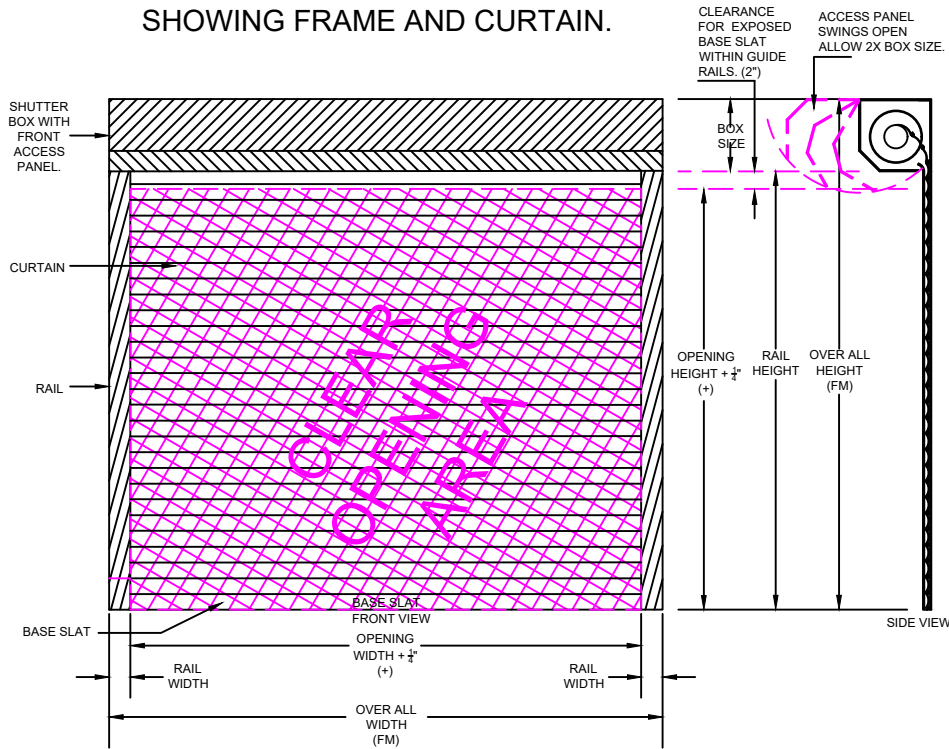
DRAWN	TRAVIS E.	2017/03/08
CHECKED	STEFAN P.	2017/03/08
APPR.		YYYY/MM/DD
UNLESS OTHERWISE SPECIFIED DIMENSIONS ARE IN INCHES		
ANGLES	± .5	± .1
	± .03	± .005

NAME		DATE		PROJECT:	
DESCRIPTION:		SYSTEM SPECIFICATION SHEETS FOR A150 SHUTTER SYSTEM.			
SIZE	DWG. NO.	REV			
A	A150	A			
SCALE: NONE	WEIGHT: XX.XLBS	15 OF 16			

THIRD ANGLE PROJECTION

COMMON TERMS USED FOR ROLLING SHUTTERS

MEASUREMENT AND PLANNING GUIDE FOR ROLLING SHUTTERS SHOWING FRAME AND CURTAIN.



Measuring for rolling shutters is easy once you know what issues to consider

1) Consider the way a rolling shutter will need to be installed. Is the area free of obstruction or will you need to fit the shutter within a certain space?

The answer to this question will tell you whether you should use a plus (+) measurement or FM measurement.

2) Consider the height of the shutter. The taller the shutter, the larger the box size. In addition to the added height for the box, some space should

be allowed for the base slat of a fully open shutter in order to keep the view from inside unobstructed.

3) Consider the width of the shutter. Adding either 5 inches for mini rails or 6 inches for maxi rails is a good general rule to follow. Keep in mind,

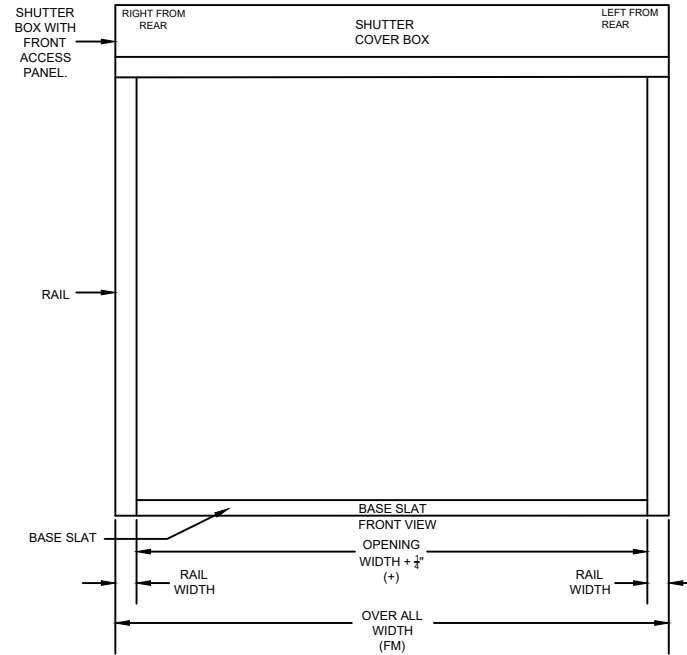
however, that this is only a guideline, and technical changes may be made when necessary.

4) Consider how power is supplied to the shutter and the location of any control switches. Consider Tape or Crank placement if manual.

If you have any questions about this measuring and planning guideline, please don't hesitate to contact us at (281)485-1911 or at Sales@rollac.com.

SHUTTER SYSTEM FRAME

SHUTTER SYSTEM FRAME



ROLLAC		NAME	DATE	PROJECT:
DRAWN	TRAVIS E.	2017/03/08		
CHECKED	STEFAN P.	2017/03/08		
APPR.		YYYY/MM/DD		
UNLESS OTHERWISE SPECIFIED DIMENSIONS ARE IN INCHES				DESCRIPTION:
ANGLES				SYSTEM SPECIFICATION SHEETS FOR A150 SHUTTER SYSTEM.
± .5	.X ± .1	.XX ± .03	.XXX ± .005	
Copyright © 2017 Rollac V2.28.2017		THIRD ANGLE PROJECTION		SIZE DWG. NO.
ROLLAC ROLLING SHUTTERS 5331 W. ORANGE ST. PEARLAND, TX 77581 TEL: 281-485-1911 WWW.ROLLAC.COM		A		A150
		SCALE: NONE		REV A
		WEIGHT: XX.XLBS		16 OF 16



Experience Technology Higher Standards

Since 1982, Rollac has operated with a vision of quality, service, and modern technology to produce the best possible product for our customers. Each product is custom manufactured for every single job to ensure the best fit and finish. Regardless if you are looking to enhance security, add comfort to a space, or seek protection from the elements, Rollac has the solution for your home or work environment.

ROLLAC 

5331 West Orange Street
Pearland, TX 77581

toll free 1.888.2-ROLLAC
phone 281.485.1911
fax 281.485.0839



www.rollac.com